

Atosa EPF3495GR Pizza Prep Counter 2 Door, Marble Top



The Atosa EPF3495GR 2 Door Pizza Prep Counter is constructed with a High Grade Stainless Steel Exterior & Interior and is equipped with a Heavy Duty Side Mounted Compressor Unit. This product's energy efficiency class is A.

- ✓ Heavy Duty Side Mounted Compressor Unit
- ✓ High Grade Stainless Steel Construction Interior
- ✓ High Grade Stainless Steel Construction Exterior
- ✓ Self-closing and stay open door
- ✓ Marble Top
- ✓ Recessed door handle
- ✓ Magnetic door gaskets
- ✓ Pre-installed castors
- ✓ Climate Class 5 product

SPECIFICATIONS

Summary

Brand	Atosa	Voltage (V/HZ/PH)	220/50/1
Model	EPF3495GR	Power (Watts)	250
Material External	Stainless Steel	Electrical Current (Amps)	1.5
Material Internal	Stainless Steel	kWh/annum	511
Lighting	No		
Door lock	No		

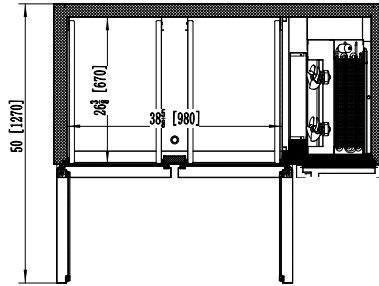
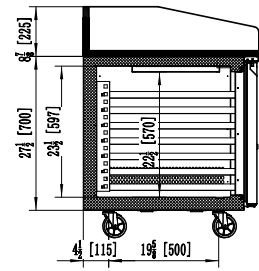
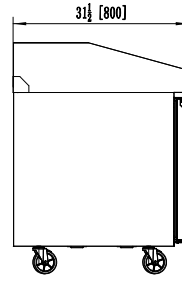
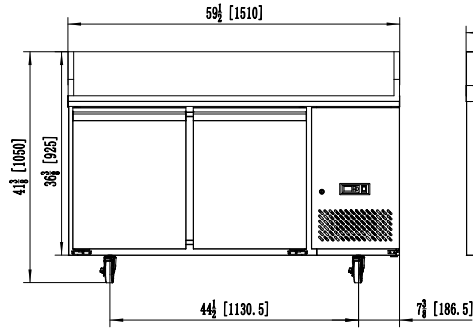
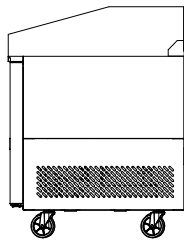
Power and Performance

Key Specifications

Nett Capacity (Litre)	250
Gross Capacity (Litre)	280
Energy Efficiency Class	A
Climate Class	5
Defrost Method	Air Defrost
Refrigerant Type / Amount	R600 / 120 g
Cooling Method	Ventilated
Inner Temperature (°C)	+2°C to +8°C
Insulation	Polyurethane foam
Foaming Material	C5H10
Castors	4 (2 Braked on front)

Weights and Dimensions

Exterior Dimension (WxDxH) mm	1510 x 800 x 1050
Interior Dimension (WxDxH) mm	980 x 670 x 570
Packing Dimension (WxDxH) mm	1560 x 850 x 1140
Net Weight (kg)	209
Gross Weight (kg)	255



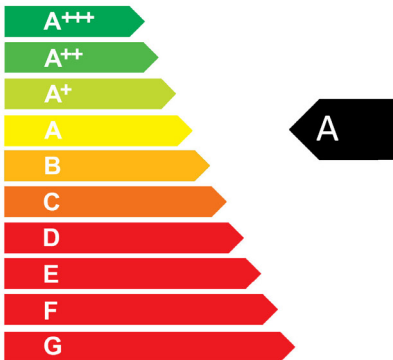
EPF3495GR



ENERGY



EPF3495GR



511
kWh/annum

1L
250L

- L

5
40°C-40%

2015/1094-IV