

Atosa MPF8202GR 2 Door Refrigeration Preparation Table Including 9 x 1/3 GN Pans



The Atosa MPF8202GR 2 Door Refrigeration Preparation Table is constructed with a High Grade Stainless Steel Exterior & Interior and is equipped with a heavy duty compressor. 9 x 1/3 GN Pans supplied as standard, they are 100 mm deep.

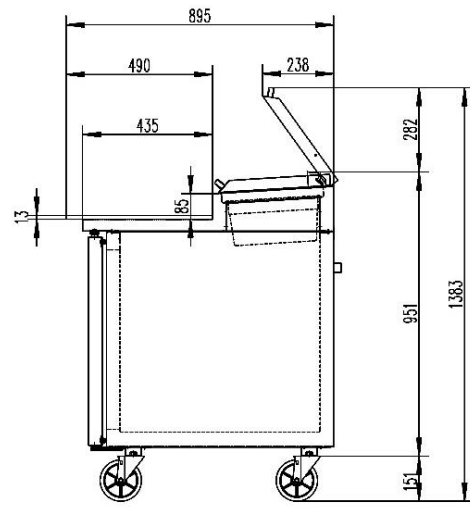
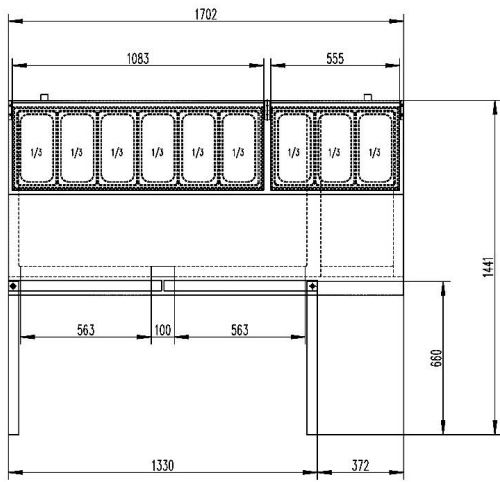
- ✓ High Grade Stainless Steel Construction Interior
- ✓ High Grade Stainless Steel Construction Exterior
- ✓ Gastro pans fitted as standard
- ✓ Easy to clean black plastic door handle
- ✓ Splash proof cover to control panel
- ✓ Optional Marble tops
- ✓ Heavy duty compressor
- ✓ Self-closing / stay open door
- ✓ Air trickle vents over gastro pans
- ✓ Pre-installed castors
- ✓ Pre-installed shelves
- ✓ Optional Crumb catchers

SPECIFICATIONS

Summary		Power and Performance	
Brand	Atosa	Voltage (V/HZ/PH)	220/50/1
Model	MPF8202GR	Power (Watts)	410
Material External	Stainless Steel	Power Consumption (kW 24hrs)	2.5
Material Internal	Stainless Steel	Electrical Current (Amps)	2.6
Shelf Quantity	2		
Lighting	No		
Door lock	No		

Key Specifications		Weights and Dimensions	
Refrigerant Type / Amount	R600a / 140 g	Exterior Dimension (WxDxH) mm	1700 x 895 x 1395
Capacity (Litre)	523	Interior Dimension (WxDxH) mm	1612 x 670 x 670
Climate Class	5	Packing Dimension (WxDxH) mm	1770 x 895 x 1153
Defrost Method	Air Defrost	Shelf Dimensions mm	604 x 651
Cooling Method	Ventilated	Net Weight (kg)	249
Inner Temperature (°C)	+2°C to +8°C	Gross Weight (kg)	259
Insulation	Polyurethane foam	Shelf Loading Capacity (kg pc)	40
Foaming Material	C5H10		
Castors	4 (2 Braked on front)		

MPF8202



side view

