

Atosa MPF8203GR 3 Door Refrigeration Preparation Table Including 12 x 1/3 GN Pans



The Atosa MPF8203GR 3 Door Refrigeration Preparation Table is constructed with a High Grade Stainless Steel Exterior & Interior and is equipped with a heavy duty compressor. 12 x 1/3 GN Pans supplied as standard, they are 100 mm deep.

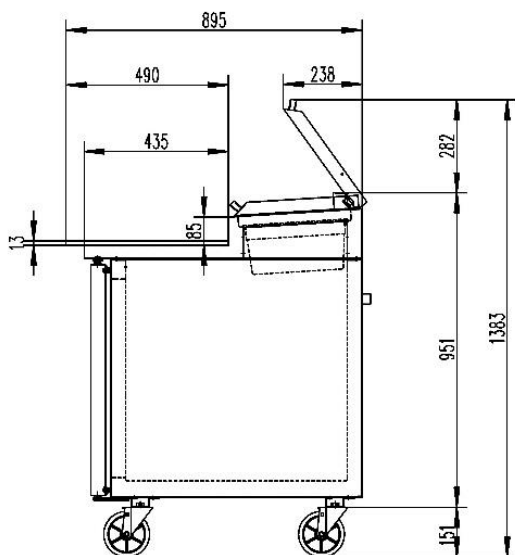
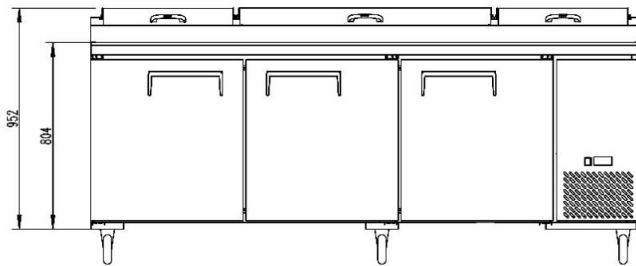
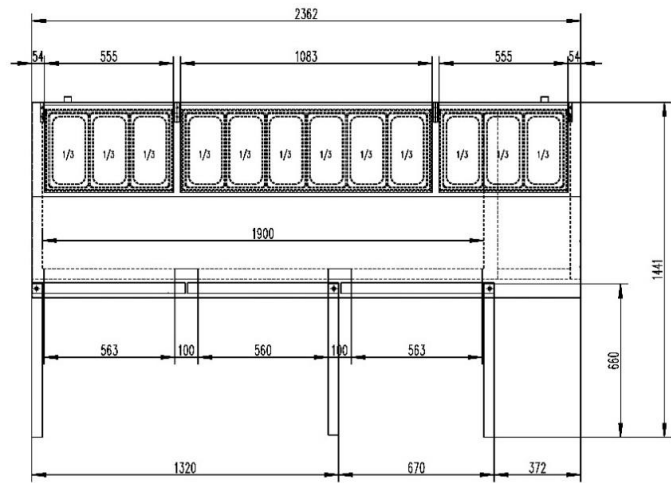
- ✓ High Grade Stainless Steel Construction Interior
- ✓ High Grade Stainless Steel Construction Exterior
- ✓ Air trickle vents over gastro pans
- ✓ Easy to clean black plastic door handle
- ✓ Splash proof cover to control panel
- ✓ Optional Marble tops
- ✓ Heavy duty compressor
- ✓ Self closing / stay open door
- ✓ Gastro pans fitted as standard
- ✓ Pre-installed castors
- ✓ Pre-installed shelves
- ✓ Optional Crumb catchers

SPECIFICATIONS

| Summary | | Power and Performance | |
|--------------------------|-----------------|-------------------------------------|----------|
| Brand | Atosa | Voltage (V/HZ/PH) | 220/50/1 |
| Model | MPF8203GR | Power (Watts) | 600 |
| Material External | Stainless Steel | Electrical Current (Amps) | 4 |
| Material Internal | Stainless Steel | Power Consumption (kW 24Hrs) | 3.6 |
| Shelf Quantity | 3 | | |
| Lighting | No | | |
| Door lock | No | | |

| Key Specifications | | Weights and Dimensions | |
|----------------------------------|-----------------------|---------------------------------------|-------------------|
| Climate Class | 5 | Exterior Dimension (WxDxH) mm | 2365 x 895 x 1395 |
| Defrost Method | Air Defrost | Interior Dimension (WxDxH) mm | 2272 x 670 x 670 |
| Refrigerant Type / Amount | R290 / 140 g | Packing Dimension (WxDxH) mm | 2431 x 895 x 1153 |
| Cooling Method | Ventilated | Shelf Dimensions mm | 604 x 651 |
| Inner Temperature (°C) | +2°C to +8°C | Net Weight (kg) | 316 |
| Insulation | Polyurethane foam | Gross Weight (kg) | 330 |
| Foaming Material | C5H10 | Shelf Loading Capacity (kg pc) | 40 |
| Castors | 6 (3 Braked on front) | | |
| Capacity (Litre) | 804 | | |

MPF8203



side view