

Atosa MSF8304GR Three Door Refrigerated Prep Table with 9 x 1/3 GN 100 mm Deep Pans



Part of the heavy duty range, the MSF8304GR 3 Door Refrigerated Prep Table performs in an ambient temperature of up to 43°C, making it suitable for the busiest kitchen, sandwich shop or pizzeria. Its exterior and interior are made up of high grade stainless steel. 9 x 1/3 GN Pans supplied as standard, they are 100 mm deep.

- ✓ High Grade Stainless Steel Construction Interior
- ✓ High Grade Stainless Steel Construction Exterior
- ✓ Gastro pans fitted as standard
- ✓ Easy to clean black plastic door handle
- ✓ Pre-installed castors
- ✓ Splash proof cover to control panel
- ✓ Optional marble tops
- ✓ Rear Mounted Compressor
- ✓ Self-closing and stay open door
- ✓ Air trickle vents over gastro pans
- ✓ Magnetic door gaskets
- ✓ Pre-installed shelves
- ✓ Climate Class 5 product
- ✓ Optional crumb catchers

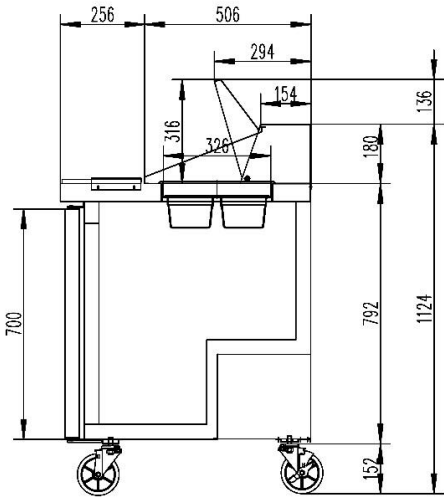
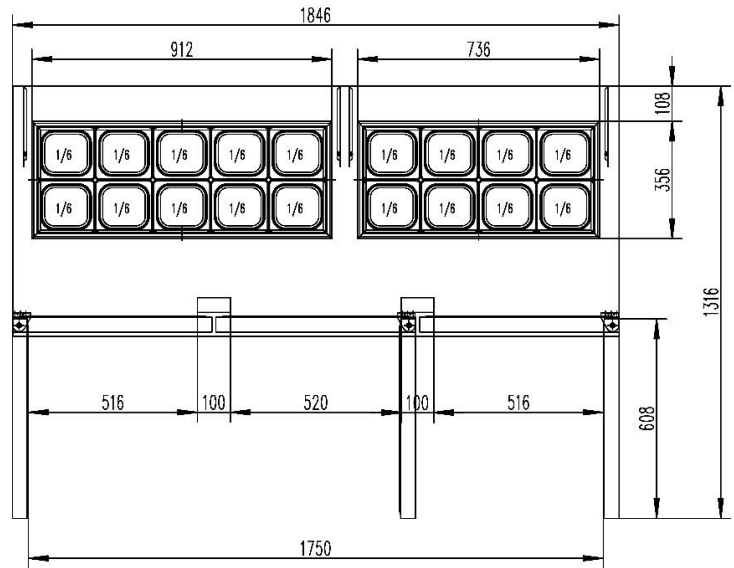
SPECIFICATIONS

Summary		Power and Performance	
Brand	Atosa	Voltage (V/HZ/PH)	220/50/1
Model	MSF8304GR	Power (Watts)	430
Material External	Stainless Steel	Electrical Current (Amps)	2.9
Material Internal	Stainless Steel	Power Consumption (kW 24Hrs)	2.6
Shelf Quantity	3		
Lighting	No		
Door lock	No		

Key Specifications		Weights and Dimensions	
Climate Class	5	Exterior Dimension (WxDxH) mm	1850 x 763 x 1124
Defrost Method	Air Defrost	Interior Dimension (WxDxH) mm	1756 x 598 x 677
Refrigerant Type / Amount	R290 / 130 g	Packing Dimension (WxDxH) mm	1916 x 851 x 1186
Cooling Method	Ventilated	Shelf Dimensions mm	547 x 448 / 600 x 448
Inner Temperature (°C)	+2°C to +8°C	Net Weight (kg)	170
Insulation	Polyurethane foam	Gross Weight (kg)	180
Foaming Material	C5H10	Shelf Loading Capacity (kg pc)	40
Capacity (Litre)	598		
Castors	4 (2 Braked on front)		

MSF8304

SANDWICH
PLAN VIEW



SIDE VIEW

